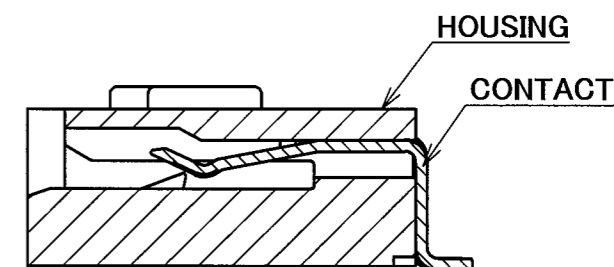
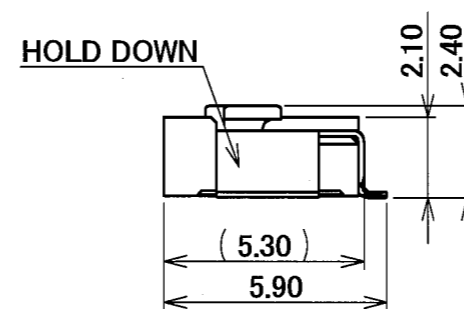
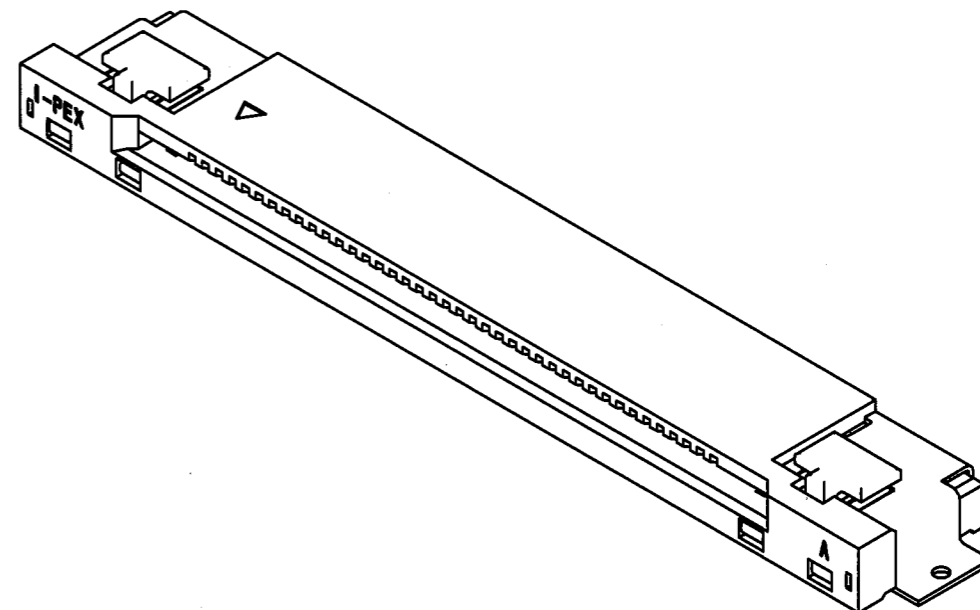
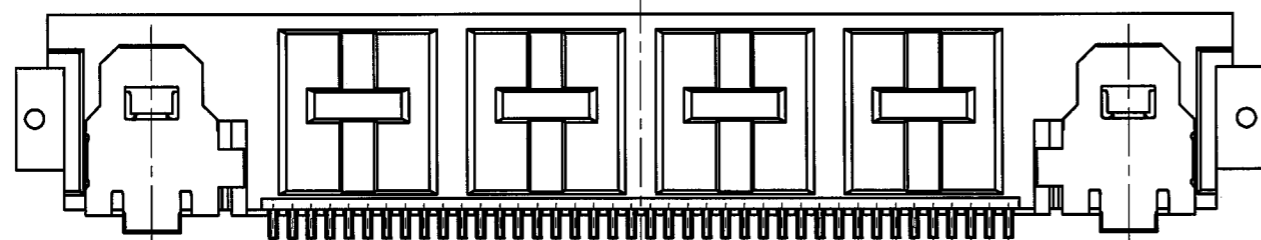
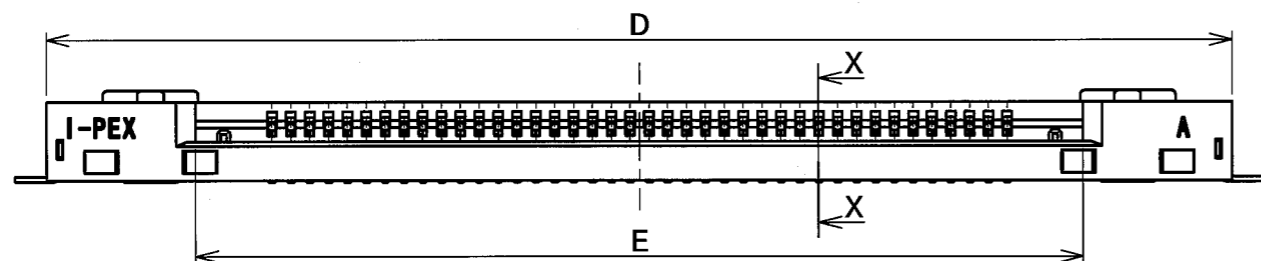
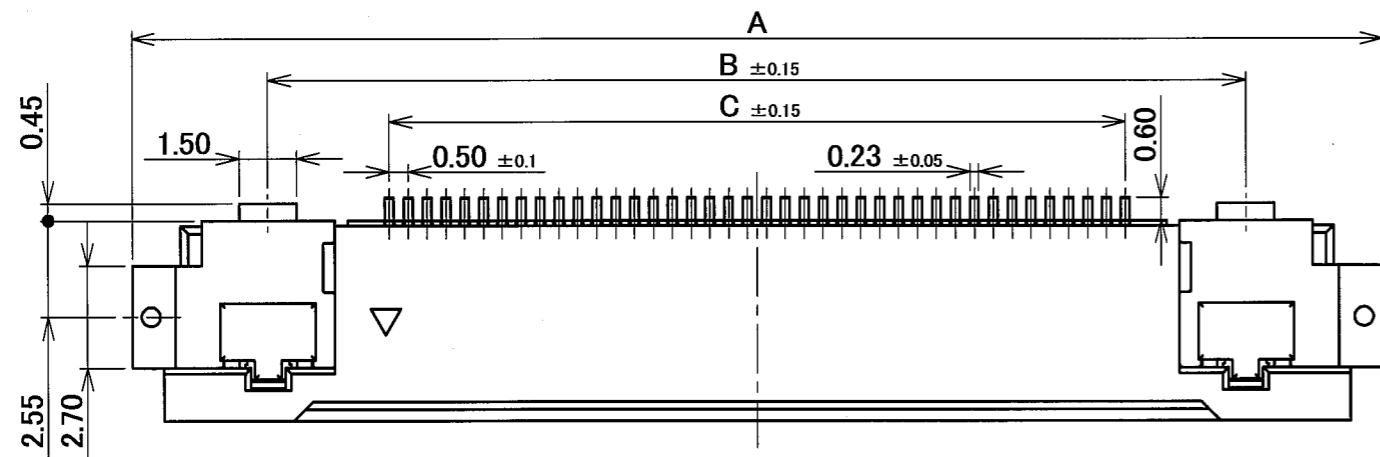


| PART NO.       | POS. | A     | B     | C     | D     | E     |
|----------------|------|-------|-------|-------|-------|-------|
| ◆20526-030E-01 | 30   | 28.10 | 20.90 | 14.50 | 26.40 | 18.56 |
| 20526-040E-01  | 40   | 33.10 | 25.90 | 19.50 | 31.40 | 23.56 |
| ◆20526-045E-01 | 45   | 35.60 | 28.40 | 22.00 | 33.90 | 26.06 |
| 20526-050E-01  | 50   | 38.10 | 30.90 | 24.50 | 36.40 | 28.56 |
| 20526-060E-01  | 60   | 43.10 | 35.90 | 29.50 | 41.40 | 33.56 |

◆MARK MEANS NOT AVAILABLE




SECT. X-X  
(S=10/1)

NOTES.

- MATERIAL
  - HOUSING : LCP UL94V-0 BLACK
  - CONTACT : COPPER ALLOY
  - HOLD DOWN : COPPER ALLOY
- FINISH
  - CONTACT : Au OVER Ni
  - HOLD DOWN : Sn OVER Ni
- PRODUCT SPECIFICATION No.PRS-1562  
INSTRUCTION MANUAL No.IER-001-04174
- COPLANARITY : 0.1 MAX.
- RoHS Compliant

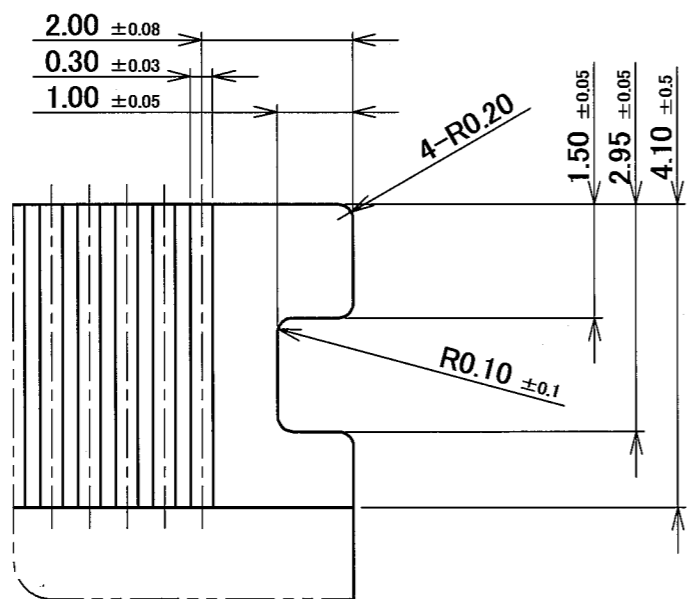
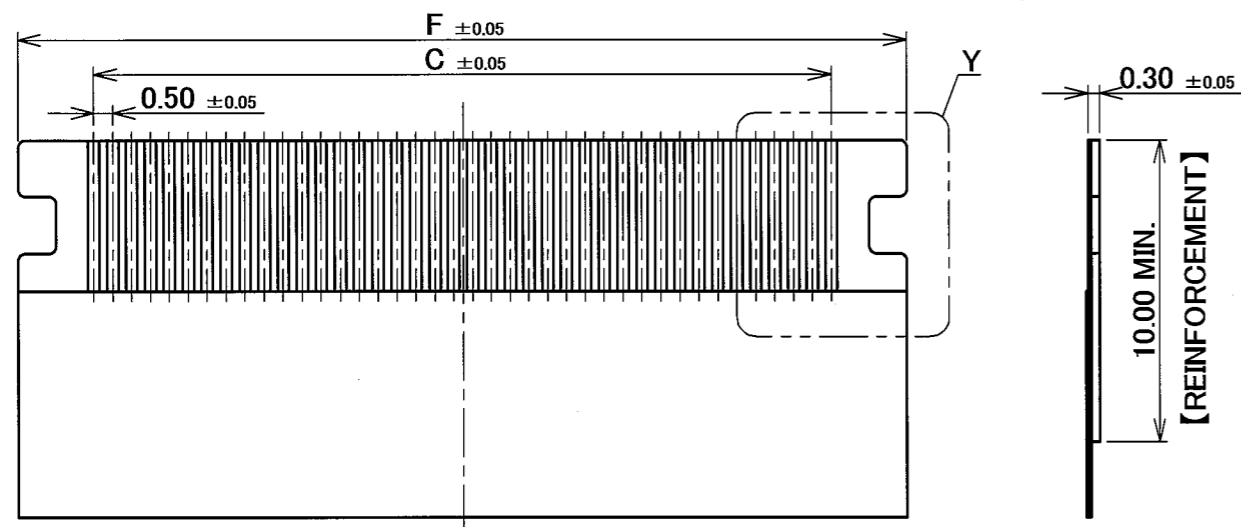
| GENERAL TOLERANCE |      |
|-------------------|------|
| 6 MAX.            | ±0.2 |
| 6 OVER MAX. 30    | ±0.3 |
| 30 OVER MAX. 120  | ±0.5 |
| ANGLE             | ±2°  |

|             |        |     |           |  |                               |                   |   |                      |          |       |      |
|-------------|--------|-----|-----------|--|-------------------------------|-------------------|---|----------------------|----------|-------|------|
|             |        |     |           |  | DESIGN'D BY<br><i>H. Hara</i> | DATE<br>Nov.05/10 |  Interconnect<br>and Packaging Electronics<br>TOKYO, JAPAN |                      |          |       |      |
|             |        |     |           |  | CHK'D BY<br><i>Y. Hara</i>    | DATE<br>Nov.05/10 |   |                      |          |       |      |
| 0           | Z10461 | h.h | Nov.05/10 |  | APP'D BY<br><i>J. Hara</i>    | SCALE             | DATE<br>Nov.09/10   | TITLE<br>EVAFLEX5-SE |          |       |      |
| REV. RECORD |        |     |           |  | CUSTOMER COPY                 | PROJECTION        | SCALE   | UNIT                 | DWG. No. | SHEET | REV. |
| SERIES No.  |        |     |           |  |                               |                   | 5:1   | mm                   | 20526    | 1/2   | 0    |

| PART NO.       | POS. | B     | C     | F     | G     | H     |
|----------------|------|-------|-------|-------|-------|-------|
| ◆20526-030E-01 | 30   | 20.90 | 14.50 | 18.50 | 15.50 | 27.00 |
| 20526-040E-01  | 40   | 25.90 | 19.50 | 23.50 | 20.50 | 32.00 |
| ◆20526-045E-01 | 45   | 28.40 | 22.00 | 26.00 | 23.00 | 34.50 |
| 20526-050E-01  | 50   | 30.90 | 24.50 | 28.50 | 25.50 | 37.00 |
| 20526-060E-01  | 60   | 35.90 | 29.50 | 33.50 | 30.50 | 42.00 |

◆MARK MEANS NOT AVAILABLE

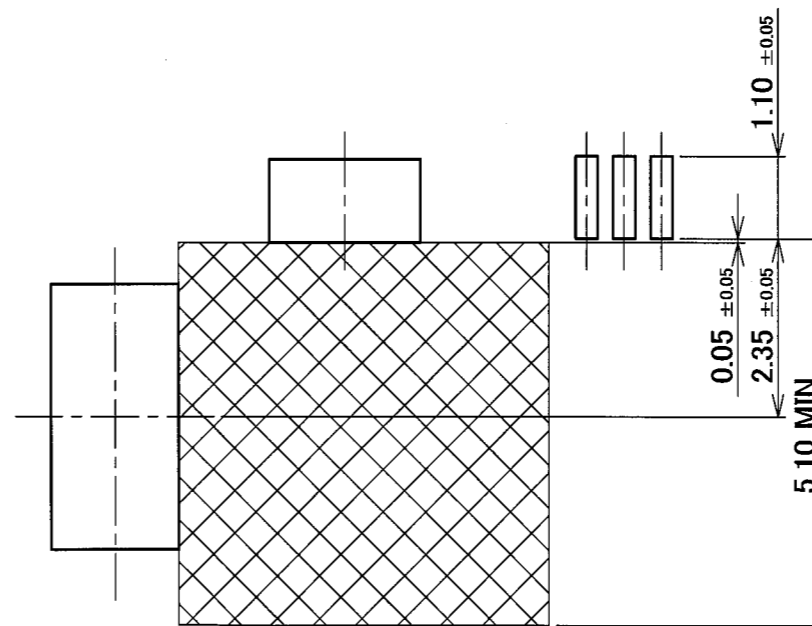
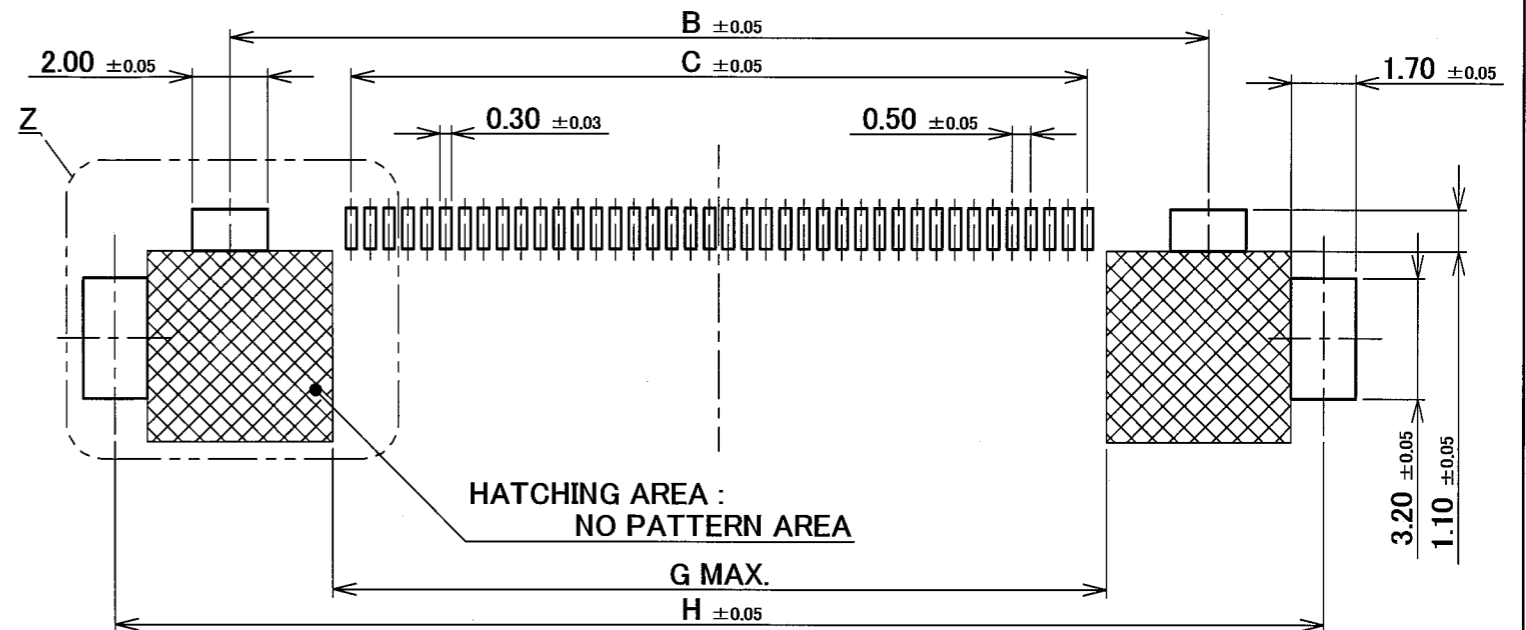
### RECOMMENDED FFC/FPC LAYOUT



DETAIL Y  
(S=10/1)

| GENERAL TOLERANCE |               |
|-------------------|---------------|
| 6 MAX.            | $\pm 0.2$     |
| 6 OVER MAX. 30    | $\pm 0.3$     |
| 30 OVER MAX. 120  | $\pm 0.5$     |
| ANGLE             | $\pm 2^\circ$ |

### RECOMMENDED PCB LAYOUT



DETAIL Z  
(S=10/1)

| REV        | ECN | BY | DATE | APP | DESIGN'D BY   | DATE | I-PEX Interconnect and Packaging Electronics TOKYO, JAPAN |  | TITLE       | SCALE | UNIT | DWG. No. | SHEET | REV. |
|------------|-----|----|------|-----|---------------|------|---|--|-------------|-------|------|----------|-------|------|
|            |     |    |      |     |               |      |   |  | EVAFLEX5-SE | 5:1   | mm   | 20526    | 2/2   | 0    |
| REV.RECORD |     |    |      |     | CUSTOMER COPY |      | PROJECTION  |  |             |       |      |          |       |      |
| SERIES No. |     |    |      |     |               |      |   |  |             |       |      |          |       |      |